



**Catalogue**  
**FOOD SERVICE**  
**Chapter**  
**COOKING**

**Specific model**  
CP-E7240 400V 3N

19074780

11/09/2024

**DENOMINATION:**

Electric pasta cooker, 2 wells of 40 L, 700 range.

**DESCRIPTION :**

- Surface tops manufactured in 1.5 mm thick AISI-304 stainless steel.
- Laser-cut joints, automatic welding and polishing. Hidden screws.
- 1.5 mm thick AISI-316L stainless steel wells built into the surface top.
- The well is filled through the inlet solenoid valve with a two-position switch: average and high-speed filling.
- Well drainage through a mechanical ball valve which is resistant to high temperatures and has a safety overflow.
- Automatic safety system to stop the current if the water runs out.
- Controls with a protective support base and system to prevent water infiltration.
- Machines with IPX5 grade water protection."
- GN-1/1 wells, with 40 litre capacity (they can be used with different positions of baskets of different sizes).
- GN-1/1 wells, with 40 litre capacity (they can be used with different positions of baskets of different sizes).

**POSSIBLE OPTIONS :**

- 230 1N- Transformation A 230 V single phase
- 230 III - A 230 V three-phase transformation without neutral
- MARINE - Other machines - Ship transformation - 440 III

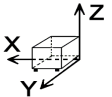
**POSSIBLE ACCESSORIES :**

- COOKING
- KORE WHEELS
- PASTA COOKER ACCESSORIES KORE
- TALL CHIMNEY KORE

**SUPPLIED ACCESSORIES:**

- 12008637 GN 1/3 cooking basket 6

**DIMENSIONS**



X Width	800 mm	X Gross width	840 mm
Y Depth	730 mm	Y Gross depth	822 mm
Z Height	850 mm	Z Gross height	1255 mm
Net Weight	80,0 kg	Gross Weight	98,0 kg
Net volume	0,500 m3	Gross volume	0,867 m3

**ELECTRICITY TECHNICAL SPECIFICATIONS**

Electric power	24,000 kW
Voltage	400V
Phases	3N
Electric frequency	50/60Hz
Amperage (A)	34,8A
Heating power	24,00 kW

**WATER TECHNICAL SPECIFICATIONS**

Pressure	H2O: 200-400kPa(2-4bar)
Water max consumption	0,00 L/h
Maximum Temperature	Water Inlet Max Temp:60°C

**CONNECTIONS TECHNICAL SPECIFICATIONS**

230 V three-phase wiring	3X16MM2+T
Single-phase 230V wiring	2X35MM2+T
Three-phase +N 400V wiring	3X6MM2+T+N
Water inlet diameter	3/4"
Drain 1 diameter	1"

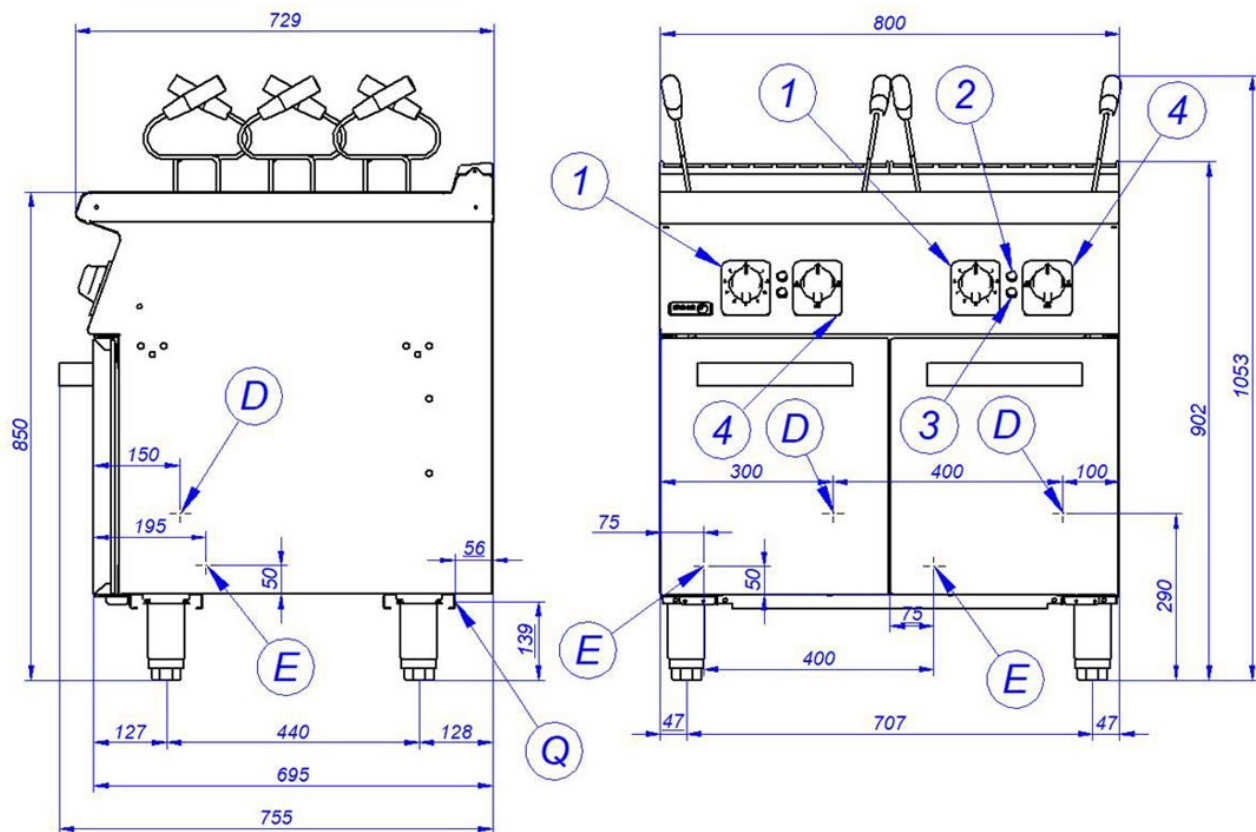


**Catalogue**  
FOOD SERVICE  
**Chapter**  
COOKING

**Specific model**  
CP-E7240 400V 3N

19074780

11/09/2024



- E – Conexión eléctrica Electrical connection
- Q – Conexión equipotencial Equipotential connection
- D – Válvula de desagüe Drain valve
- 1 – Mando termostato Thermostat control
- 2 – Piloto verde Green pilot
- 3 – Piloto ambar Ambar pilot
- 4 – Mando entrada agua Water control