



Catalogue
FOOD SERVICE
Chapter
COOKING

Specific model
CP-G7226 NG 230V 1N

19074729

04/09/2023

DENOMINATION:

NG gas pasta cooker, 2 wells of 26 L, 700 range.

DESCRIPTION :

- Surface tops manufactured in 1.5 mm thick AISI-304 stainless steel.
- Laser-cut joints, automatic welding and polishing. Hidden screws.
- 1.5 mm thick AISI-316L stainless steel wells built into the surface top.
- The well is filled through the inlet solenoid valve with a two-position switch: average and high-speed filling.
- Well drainage through a mechanical ball valve which is resistant to high temperatures and has a safety overflow.
- Automatic safety system to stop the current if the water runs out.
- Controls with a protective support base and system to prevent water infiltration.
- Machines with IPX5 grade water protection."
- GN-2/3 wells, with 26 litre capacity (they can be used with different positions of baskets of different sizes).
- "-High-performance stainless-steel burner located outside of the well with a combustion chamber that enables heating of the base and sides of the well (up to the minimum filling level).
- Burner ignition through electronic spark igniter. With an access tube for manual ignition.
- Heating controlled through safety valve."

POSSIBLE OPTIONS :

- 230 1N- Transformation A 230 V single phase
- 230 III - A 230 V three-phase transformation without neutral
- MARINE - Other machines - Ship transformation - 440 III

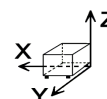
POSSIBLE ACCESSORIES :

- COOKING
- KORE WHEELS
- PASTA COOKER ACCESSORIES KORE
- TALL CHIMNEY KORE

SUPPLIED ACCESSORIES:

- 12008637 GN 1/3 cooking basket 4

DIMENSIONS



X Width	800 mm	X Gross width	840 mm
Y Depth	730 mm	Y Gross depth	822 mm
Z Height	850 mm	Z Gross height	1255 mm
Net Weight	89,0 kg	Gross Weight	107,0 kg
Net volume	0,500 m3	Gross volume	0,867 m3

ELECTRICITY TECHNICAL SPECIFICATIONS

Electric power	0,100 kW
Amperage (A)	2A
Voltage	230V - 1N
Electric frequency	50/60Hz

GAS TECHNICAL SPECIFICATIONS

Gas type	NG
Gas power	20,00 kW
Gas consumption	2,116 m3/h
Regulated	LPG G30/G31 28-30/37 mbar NG G20/G25/G25.1 20/25/25 mbar

WATER TECHNICAL SPECIFICATIONS

Pressure	H2O: 200-400kPa(2-4bar)
Water max consumption	0,00 L/h

CONNECTIONS TECHNICAL SPECIFICATIONS

Gas diameter 1	R.3/4"G
Water inlet diameter	3/4"



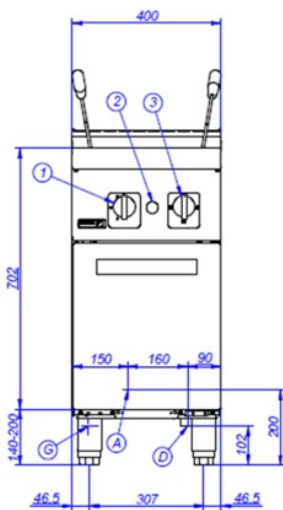
Catalogue
FOOD SERVICE
Chapter
COOKING

Specific model
CP-G7226 NG 230V 1N

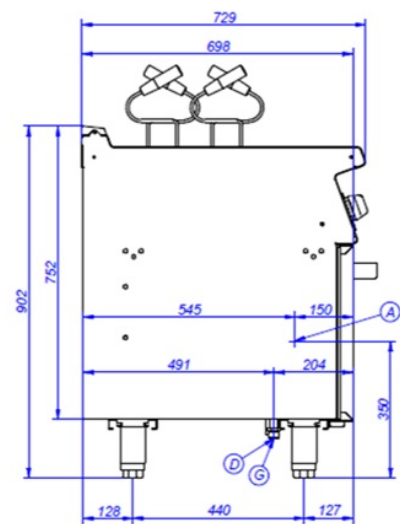
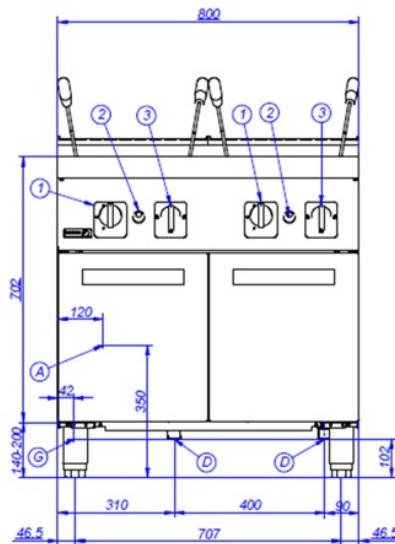
19074729

04/09/2023

CP-G7126



CP-G7226



A – Entrada de Agua
G – Entrada de Gas
D – Desagüe
1 – Grifo válvula de gas
2 – Pulsador piezoeléctrico
3 – Grifo de entrada de agua

Water Inlet
Gas Inlet
Drainage
Gas valve tap
Piezoelectric ignitor
Water inlet tap

Arrivée d'eau
Entrée de gaz
Vidange
Robinet vanne gaz
Allumeur piézoélectrique
Commande d'entrée d'eau