



Catalogue
FOOD SERVICE
Chapter
COOKING

Specific model
CP-E7226 400V 3N

19072437

04/09/2023

DENOMINATION:

Electric pasta cooker, 2 wells of 26 L, 700 range.

DESCRIPTION :

- Surface tops manufactured in 1.5 mm thick AISI-304 stainless steel.
- Laser-cut joints, automatic welding and polishing. Hidden screws.
- 1.5 mm thick AISI-316L stainless steel wells built into the surface top.
- The well is filled through the inlet solenoid valve with a two-position switch: average and high-speed filling.
- Well drainage through a mechanical ball valve which is resistant to high temperatures and has a safety overflow.
- Automatic safety system to stop the current if the water runs out.
- Controls with a protective support base and system to prevent water infiltration.
- Machines with IPX5 grade water protection."
- GN-2/3 wells, with 26 litre capacity (they can be used with different positions of baskets of different sizes).
- GN-1/1 wells, with 40 litre capacity (they can be used with different positions of baskets of different sizes).

POSSIBLE OPTIONS :

- 230 1N- Transformation A 230 V single phase
- 230 III - A 230 V three-phase transformation without neutral
- MARINE - Other machines - Ship transformation - 440 III

POSSIBLE ACCESSORIES :

- COOKING
- KORE WHEELS
- PASTA COOKER ACCESSORIES KORE
- TALL CHIMNEY KORE

SUPPLIED ACCESSORIES:

- 12008637 GN 1/3 cooking basket 4

DIMENSIONS



X Width	800 mm	X Gross width	840 mm
Y Depth	730 mm	Y Gross depth	822 mm
Z Height	850 mm	Z Gross height	1255 mm
Net Weight	85,0 kg	Gross Weight	103,0 kg
Net volume	0,500 m3	Gross volume	0,867 m3

ELECTRICITY TECHNICAL SPECIFICATIONS

Electric power	18,000 kW
Amperage (A)	26,1A
Heating power	18,00 kW
Voltage	400V - 3N
Electric frequency	50/60Hz

WATER TECHNICAL SPECIFICATIONS

Pressure	H2O: 200-400kPa(2-4bar)
Water max consumption	0,00 L/h

CONNECTIONS TECHNICAL SPECIFICATIONS

230 V three-phase wiring	3X10MM2+T
Single-phase 230V wiring	2X25MM2+T
Three-phase +N 400V wiring	3X4MM2+T+N
Water inlet diameter	3/4"



Catalogue
FOOD SERVICE
Chapter
COOKING

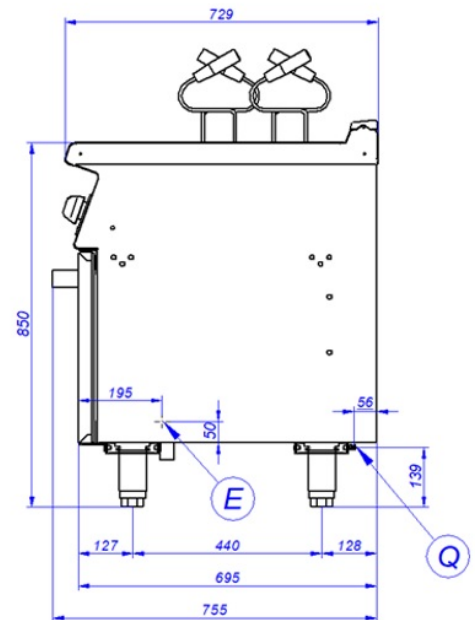
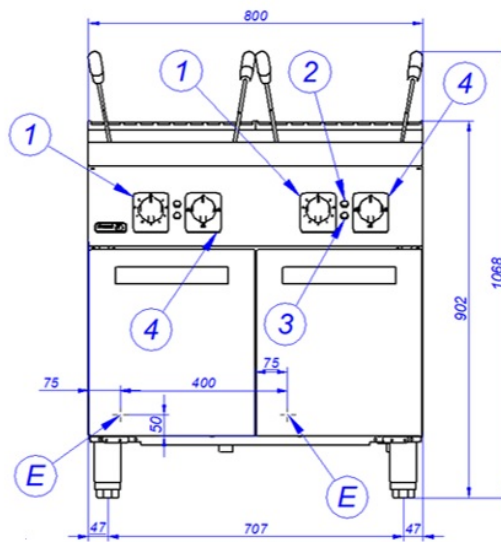
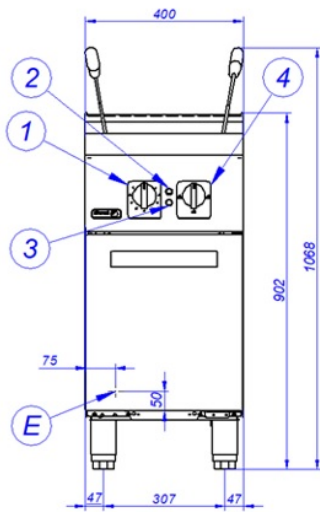
Specific model
CP-E7226 400V 3N

19072437

04/09/2023

CP-E7126

CP-E7226



E – Conexión eléctrica

Electrical connection

Connexion électrique

Q – Conexión equipotencial

Equipotential connection

Connexion équipotential

1 – Mando termostato

Thermostat control

Commande de thermostat

2 – Piloto verde

Green pilot

Lumière verte

3 – Piloto ámbar

Ambar pilot

Lumière ambre

4 – Mando entrada agua

Water control

Commande d'entrée d'eau