



Catalogue
FOOD SERVICE
Chapter
COOKING

Specific model
C-GP710 NG

19074806

04/09/2023

DENOMINATION:

Paella cooker GN, 700 range.

DESCRIPTION :

- "- Surface tops manufactured in 1.5 mm thick AISI-304 stainless steel.
- Laser-cut joints and automatic welding. Hidden screws.
- Double-crown burner with four rows of flames per crown, guaranteeing an even distribution of heat from the flame to the bottom of the paella.
- Low-consumption pilot light and thermocouple.
- Flexible stainless-steel gas pipes, facilitating internal manipulation in order to make repairs easier.
- Controls with a protective support base and system to prevent water infiltration.
- High-temperature enamelled cast iron flue protector which is flush with the grates therefore improving manoeuvrability, supporting larger containers and increasing the usable surface area.
- Access to components from the front."

POSSIBLE ACCESSORIES :

- ACCESSORIES KORE
- STANDS 700
- TALL CHIMNEY KORE

DIMENSIONS



X Width	800 mm	X Gross width	840 mm
Y Depth	730 mm	Y Gross depth	822 mm
Z Height	290 mm	Z Gross height	535 mm
Net Weight	62,0 kg	Gross Weight	80,0 kg
Net volume	0,170 m3	Gross volume	0,369 m3

GAS TECHNICAL SPECIFICATIONS

Gas type	NG
Gas power	27,00 kW
Regulated	LPG G30/G31 28-30/37 mbar NG G20/G25/G25.1 20/25/25 mbar



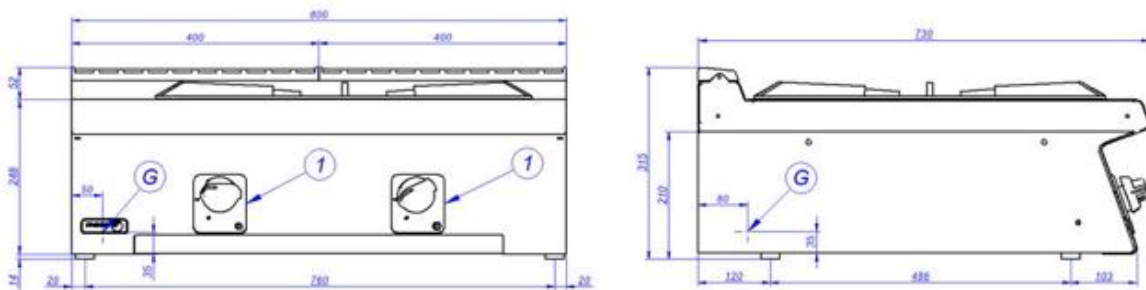
Catalogue
FOOD SERVICE
Chapter
COOKING

Specific model
C-GP710 NG

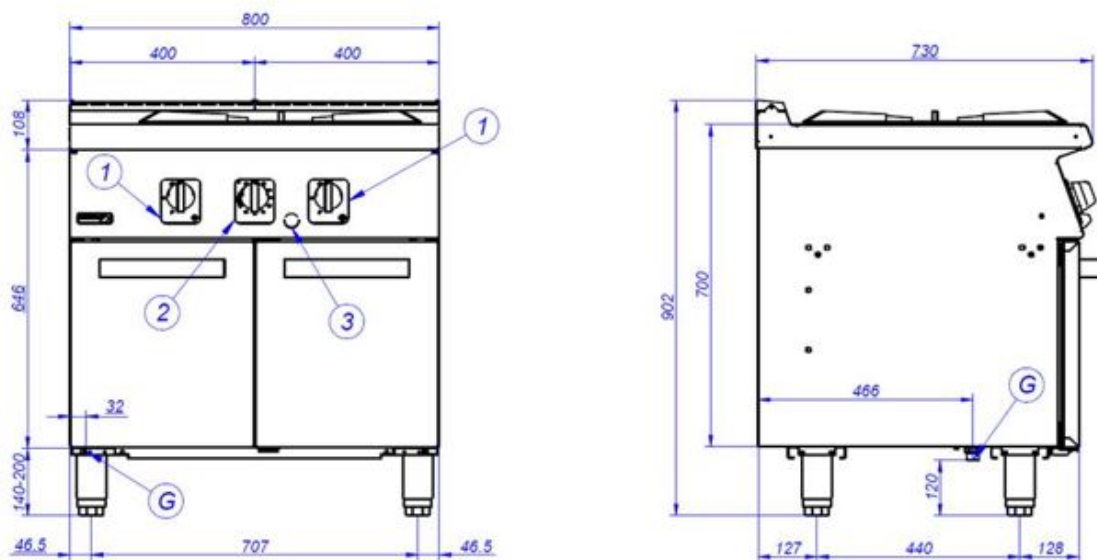
19074806

04/09/2023

C-GP710



C-GP711



G. Entrada de Gas
1. Válvula de gas
2. Válvula de gas del horno
3. Pulsador tren de chispas

Gas inlet
Gas valve
Oven gas valve
Piezoelectric ignitor