



# SOUP KETTLE OS-10

Black enamel finish.



SNACK BAR-PIZZERIA  
SOUP KETTLES



## SALES DESCRIPTION

**Soup kettle to keep the temperature of soups or liquids.**

- ✓ Capacity: 10 litres.
- ✓ Wet heat only.
- ✓ Black finish.

## SPECIFICATIONS

Dry heat: no

Bain-marie: yes

Capacity: 10 l

Total loading: 450 W

Maximum temperature: 95°C

Electrical supply: 230 V / 50-60 Hz / 1~

### External dimensions (W x D x H)

- ✓ Width: 340 mm
- ✓ Depth: 340 mm
- ✓ Height: 340 mm

Net weight: 5.5 kg

### Crated dimensions

340 x 340 x 395 mm

Gross weight: 5.62 kg

## AVAILABLE MODELS

5200012 Soup kettle OS-10 230/50-60/1

\* Ask for special versions availability



product sheet  
updated 21/01/2024

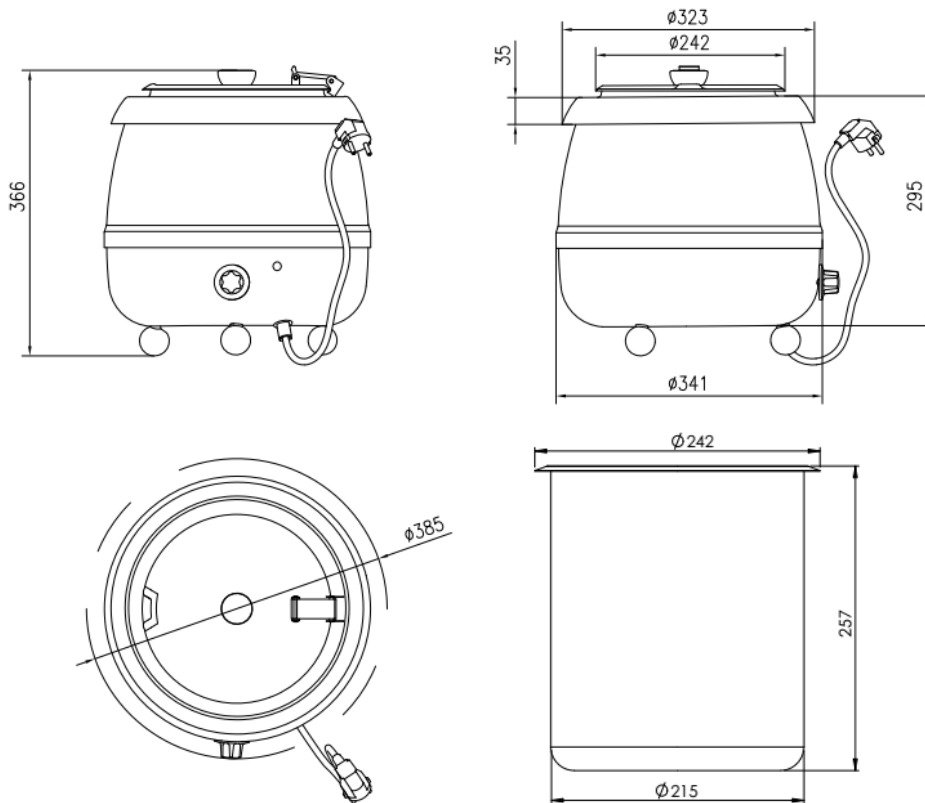


# SOUP KETTLE OS-10

Black enamel finish.



SNACK BAR-PIZZERIA  
SOUP KETTLES



**sammic** | [www.sammic.com](http://www.sammic.com)  
Food Service Equipment Manufacturer  
Polígono Basarte, 1. phone +34 943 15 72 36  
20720 Azkoitia, Spain sales@sammic.com



Project	Date
Item	Qty
Approved	

product sheet  
updated 21/01/2024