



SOUP KETTLE OSI-10

Stainless steel finish. Soup kettle to keep the temperature of soups or liquids.



SNACK BAR-PIZZERIA
SOUP KETTLES



SALES DESCRIPTION

Soup kettle to keep the temperature of soups or liquids.

- ✓ Capacity: 10 litres.
- ✓ Wet heat only.
- ✓ Stainless steel finish.

SPECIFICATIONS

Dry heat: no

Bain-marie: yes

Capacity: 10 l

Total loading: 450 W

Maximum temperature: 95°C

Electrical supply: 230 V // 1~

External dimensions (W x D x H)

- ✓ Width: 340 mm
- ✓ Depth: 340 mm
- ✓ Height: 340 mm

Net weight: 5.5 kg

AVAILABLE MODELS

5200014 Soup kettle OSI-10 230/50-60/1

* Ask for special versions availability



product sheet
updated 21/01/2024

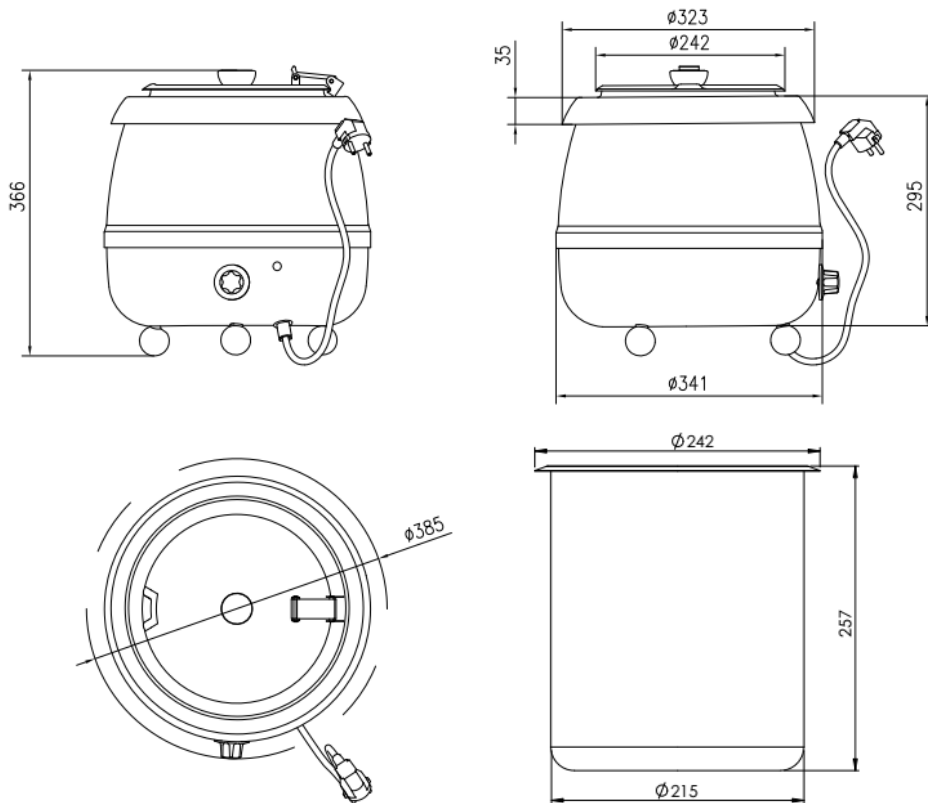


SOUP KETTLE OSI-10

Stainless steel finish. Soup kettle to keep the temperature of soups or liquids.



SNACK BAR-PIZZERIA
SOUP KETTLES



sammic | www.sammic.com
Food Service Equipment Manufacturer

Polígono Basarte, 1. phone +34 943 15 72 36
20720 Azkoitia, Spain sales@sammic.com



Project	Date
Item	Qty
Approved	

product sheet
updated 21/01/2024