



# COMMERCIAL ORANGE JUICER ECM

Hand-operated citrus juice squeezer.



SNACK BAR-PIZZERIA  
COMMERCIAL ORANGE JUICERS



## AVAILABLE MODELS

3420030	Citrus juice extractor ECM 230/50/1
3420031	Citrus juice extractor ECM 120/60/1
3420032	Citrus juice extractor ECM 220/60/1
3420038	Citrus juice extractor ECM 230/50/1 UK

\* Ask for special versions availability

## SALES DESCRIPTION

Hand-operated citrus juice squeezer with an hourly output of up to 200 oranges.

### For all types of establishments.

- ✓ Stainless steel body.
- ✓ Hand operated.
- ✓ Easy to use and clean.
- ✓ Durable.

## OPTIONAL

- Outer stainless steel strainer Ø 14 mm.
- Stainless steel decanter.

## ACCESSORIES

- Outer strainer
- Stainless steel decanter

## SPECIFICATIONS

Production oranges/hour: 200  
Total loading: 130 W

### External dimensions (W x D x H)

- ✓ Width: 200 mm
- ✓ Depth: 280 mm
- ✓ Height: 340 mm

Noise level (1m.): 60 dB(A)  
Background noise: 25 dB(A)  
Net weight: 7 kg

Crated dimensions  
300 x 300 x 445 mm  
Gross weight: 9 kg



product sheet  
updated 07/11/2024

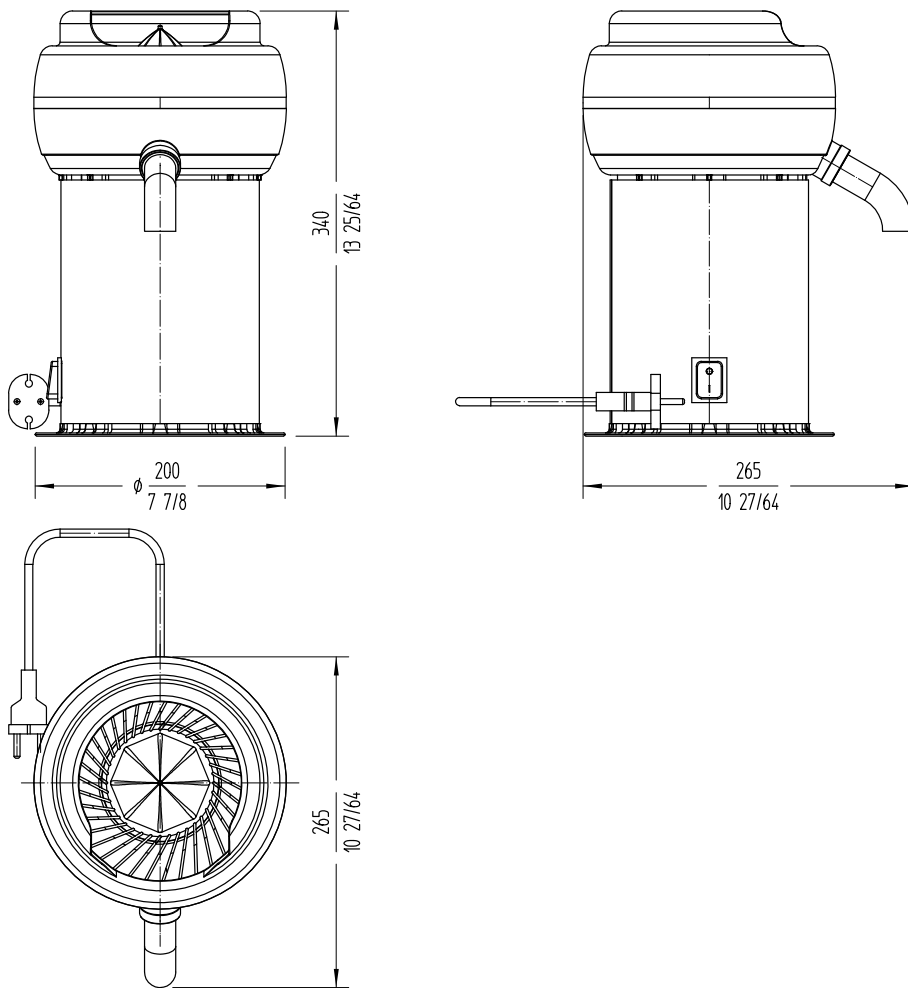


# COMMERCIAL ORANGE JUICER ECM

Hand-operated citrus juice squeezer.



SNACK BAR-PIZZERIA  
COMMERCIAL ORANGE JUICERS



**sammic** | [www.sammic.com](http://www.sammic.com)  
Food Service Equipment Manufacturer

Polígono Basarte, 1. phone +34 943 15 72 36  
20720 Azkoitia, Spain [sales@sammic.com](mailto:sales@sammic.com)



Project	Date
Item	Qty
Approved	

product sheet  
updated 07/11/2024