



HAND MIXER & BLENDER COMBO MB-51

Professional hand blender and beater. 570 W.



DYNAMIC PREPARATION
COMMERCIAL HAND BLENDERS



- without the casing overheating.
- ✓ Life-plus: equipped with a motor which has passed all of the most demanding usage tests.
- ✓ Studied geometry: casing designed to avoid rolling and falling.
- ✓ Easy to clean: detachable, dishwasher safe arms. The whisks are detachable and dishwasher safe.
- ✓ Approved by NSF: guaranteed safety and hygiene.

INCLUDES

- ✓ Variable speed motor block.
- ✓ Whisk BA-50.
- ✓ MA-51 mixer arm.
- ✓ Wall mount.

OPTIONAL

- MA-52 mixer arm.
- Clamp sliding frame.
- "Quick fix" clamp.

ACCESSORIES

- Clamp sliding frame
- Quick-Fix bowl clamp

SPECIFICATIONS

Total loading: 570 W

Liquidiser function

Maximum recipient capacity: 80 l
 Maximum working depth: 283.3 mm
 vel_tri_min - vel_tri_max: 1500 - 12000 rpm
 Blade diameter: 60 mm
 Blade guard diameter: 101 mm
 Liquidising arm length: 425 mm
 Total length: 765 mm

Whisk function

vel_bat_min - vel_bat_max: 200 - 1500 rpm
 Capacity (egg whites): 2 - 80
 Revolving arm length: 405 mm
 Total length (with revolving arm): 746 mm

Net weight: 4.65 kg

Noise level (1m.): <80 dB(A)

Crated dimensions

575 x 455 x 130 mm

Gross weight: 6.3 kg

AVAILABLE MODELS

3030691 Immersion blender & whisk combo MB-51 230/50-60/1

3030831 Immersion blender & whisk combo MB-51 120/50-60/1 USA

* Ask for special versions availability

SALES DESCRIPTION

- ✓ Variable speed motor block.
- ✓ 425 mm detachable mixer arm designed for continuous use in recipients of up to 80 l.
- ✓ Whisk with capacity for 2 to 80 egg whites.

All-in-one

- ✓ Professional hand blender and beater.
- ✓ Professional hand blender designed for carrying out different preparations without the need for add-on tools.
- ✓ Professional Y-blade, made from tempered steel and with a long-duration cutting edge.
- ✓ Vario-speed: variable speed.
- ✓ Mixer arm designed to work in recipients of up to 30 litres.
- ✓ Beater with capacity for 2 to 50 egg whites.

Exclusive TiltStop system

- ✓ Your hand blender will stop in case of a fall or excessive tilt from the vertical position.
- ✓ Moreover, it won't initiate unless it's in the correct usage position.
- ✓ This ensures optimal operation and increases the operator's safety at the workplace.

Maximum comfort for the user

- ✓ Compact design: logical and manageable size.
- ✓ Ergo-design & bi-mat-grip: external casing made in two materials for an ergonomic hold. Anti-slip grip. Optimum inclination of handle, minimising fatigue.
- ✓ Click-on-arm: detachable arm with fast and secure closure.
- ✓ Mixer arm hood designed to avoid splashes.
- ✓ Intuitive use: very simple operation. LED warning light in two colours to indicate the status of the machine.

Built to last

- ✓ Professional performance: capable of carrying out prolonged work



product sheet
updated 29/11/2024

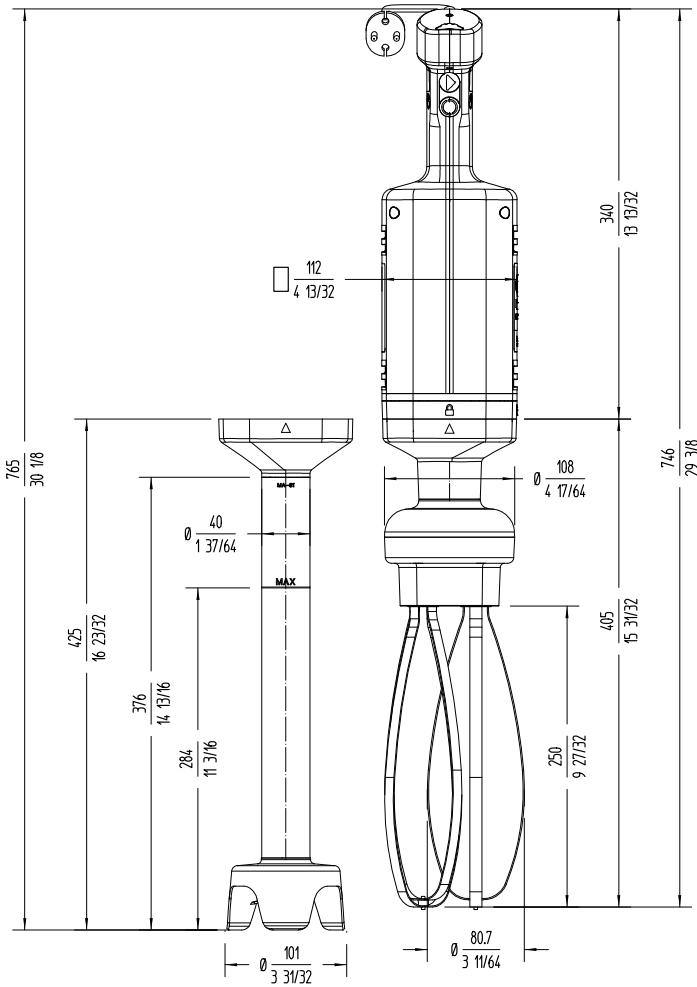


HAND MIXER & BLENDER COMBO MB-51

Professional hand blender and beater. 570 W.



DYNAMIC PREPARATION
COMMERCIAL HAND BLENDERS



sammic | www.sammic.com
Food Service Equipment Manufacturer

Polígono Basarte, 1. phone +34 943 15 72 36
20720 Azkoitia, Spain sales@sammic.com



Project _____ Date _____

Item _____ Qty _____

Approved _____

product sheet
updated 29/11/2024