



Catalogue
FOOD SERVICE
Chapter
REFRIGERATION

Specific model
CBCP-3S LC GD 230V 1N 50Hz

19089700

05/07/2024

The photo may show the standard model and not the configured one

DENOMINATION:

Refrigerated front counter with glass doors and locks with 3 doors.

DESCRIPTION :

- Interior constructed with AISI-304 stainless steel exterior in food grade stainless steel.
- 50 mm thickness, CFC-free, high-density (40 kg/m³) polyurethane insulation, injected under high pressure.
- Heavy-duty stainless-steel working top with 100mm high splash-back, preventing spillage behind the counter.
- Intuitive, digital display for electronic control with energy saving function to ensure an optimal control of storing products.
- Removable pull-out/push-in magnetic door gasket to keep maximum hygiene and maintain the insulating properties.
- Hinged doors with automatic return for a perfect closing that minimize temperature gain. Doors have a 120° dwell position and close automatically at less than 90°.
- Pivotal front panel with easy access for service access and ventilation grid design allowing machine to be embedded without penalizing performance.
- Internally designed forced draft cooling system with low consumption electronic components to guarantee optimal equipment efficiency and performance.
- Optimal air circulation system that guarantees a balanced and constant distribution throughout the equipment, so that the temperature remains uniform. It helps preserve food for longer.
- Height-adjustable stainless steel legs. Height of the legs can be adjusted individually (130 mm - 200 mm) to enable convenient cleaning.
- Automatic evaporation of defrost water. Hot gas coming from the compressor is used to automatically evaporate defrost water, instead of heating elements, achieving even less energy consumption.
- Stamped edge interiors, easier cleaning operations to reduce potential dirt traps with a built-in drainage to get rid of waste liquid inside units.
- Removable and height adjustable epoxy coated grids with a maximum loading capacity of up to 40 kg.
- Equipped with 1 grid 405x460 mm in each edge door and 1 grid 405x525 in centered doors and height adjustable 2 sets of tray slides per each full door.
- Double-glazed doors insulated with low thermal emissivity to reduce heat transfer with ergonomic handle.

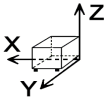
POSSIBLE OPTIONS :

- 60 Hz
- Stainless Backing
- Wheels Kit (Factory Assembly)
- Door frame resistance
- Left group
- Without breastplate
- Without Countertop
- Panoramic aperture
- Tylting Drawer

STANDARD OPTIONS :

- Glass door

DIMENSIONS



X Width	2017 mm	X Gross width	2150 mm
Y Depth	600 mm	Y Gross depth	680 mm
Z Height	1045 mm	Z Gross height	1195 mm
Net Weight	155,0 kg	Gross Weight	164,0 kg
Net volume	1,265 m ³	Gross volume	1,747 m ³

ELECTRICITY TECHNICAL SPECIFICATIONS

Electric power	0,209 kW
Voltage	230V
Phases	1N
Electric frequency	50Hz
Amperage (A)	0,96 A

COLD HORECA ECO LABEL

Energy Efficiency Index	23,75 %
Temperature	0 +8 °C
Climate class	4
Refrigeration power	0,361 kW
Gas type	R-600a
GWP	3
Cooling gas load	64,000 g
Gross internal volume	551 L
Noise level	54,00 dB
Condensation system	Vent.
Model Type	1 refrigeration comp equipment
Annual elec. consumption	1630,20 kWh
Power consumption 24h	4,47 kWh
Energy efficiency Index (EEI)	23,8
Clasif. Energy efficiency	C

CONNECTIONS TECHNICAL SPECIFICATIONS

Single-phase 230V wiring	2X1+T-2A
--------------------------	----------

OTHERS

Number of doors	3
-----------------	---





Catalogue
FOOD SERVICE
Chapter
REFRIGERATION

Specific model
CBCP-3S LC GD 230V 1N 50Hz

19089700

05/07/2024

The photo may show the standard model and not the configured one

- Locks

POSSIBLE ACCESSORIES :

- ACCESSORIES FOR REFRIGERATION

SUPPLIED ACCESSORIES:

- 19097775 Epoxi grid for snack counters, 405 mm x 525 mm. 1
- 19097777 Epoxi grid for snack counters, 405 mm x 460 mm. 2

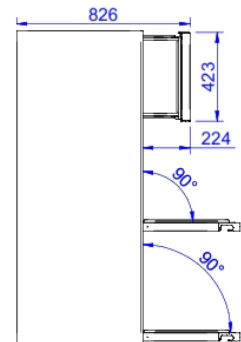
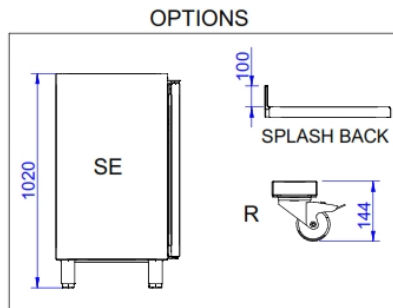
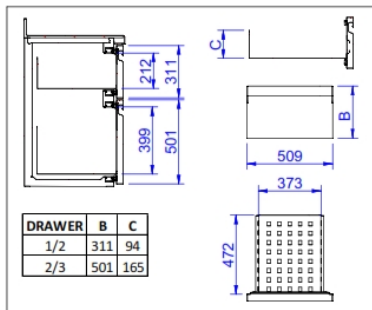
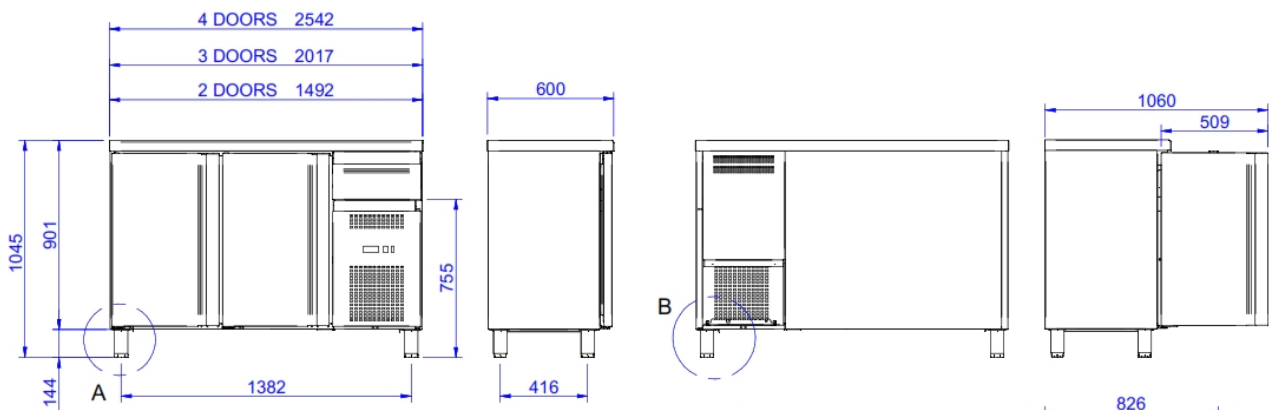


Catalogue
FOOD SERVICE
Chapter
REFRIGERATION

Specific model
CBCP-3S LC GD 230V 1N 50Hz

19089700

05/07/2024



GRILL FIXING DETAIL

