



**Catalogue**  
FOOD SERVICE  
**Chapter**  
COOKING

**Specific model**  
C-G710 LPG

19070754

04/09/2023

**DENOMINATION:**

Countertop gas solid top LPG, 700 range.

**DESCRIPTION :**

- "- Surface tops manufactured in 1.5 mm thick AISI-304 stainless steel.
  - Laser-cut joints and automatic welding. Hidden screws.
  - 10 mm-thick cast iron plate with rounded corners.
  - Fry-top dimensions: 800 x 580 mm.
  - Shield with 300 mm diameter.
  - Refractory brick inside for improved heat use and distribution.
  - Differentiated usage temperatures: 500 °C at the centre and 200 °C at the edges.
  - Double-crown burner and diffuser made of cast iron which guarantee an even distribution of heat from the flame.
  - Burner power: 8.4 kW.
  - Low-consumption pilot light and thermocouple located within the body of the burner for greater protection.
  - Flexible stainless-steel gas pipes, facilitating internal manipulation in order to make repairs easier.
  - Controls with a protective support base and system to prevent water infiltration.
  - High-temperature enamelled cast iron flue protector which is flush with the
- grates therefore improving manoeuvrability, supporting larger containers and increasing the usable surface area.
- Access to components from the front."

**POSSIBLE ACCESSORIES :**

- ACCESSORIES KORE
- STANDS 700
- TALL CHIMNEY KORE

**DIMENSIONS**



X Width	800 mm	X Gross width	840 mm
Y Depth	730 mm	Y Gross depth	822 mm
Z Height	290 mm	Z Gross height	535 mm
Net Weight	93,0 kg	Gross Weight	111,0 kg
Net volume	0,170 m3	Gross volume	0,369 m3

**ELECTRICITY TECHNICAL SPECIFICATIONS**

Voltage N/A - N/A

**GAS TECHNICAL SPECIFICATIONS**

Gas type LPG

Gas power 8,40 kW

Gas consumption 0,699 kg/h

Regulated LPG G30/G31 28-30/37 mbar  
NG G20/G25/G25.1 20/25/25 mbar

**CONNECTIONS TECHNICAL SPECIFICATIONS**

Gas diameter 1 R.3/4"G



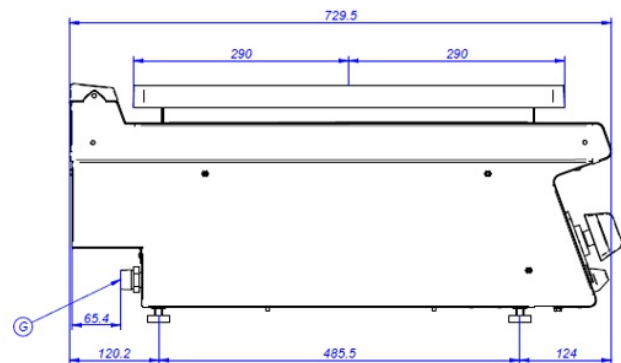
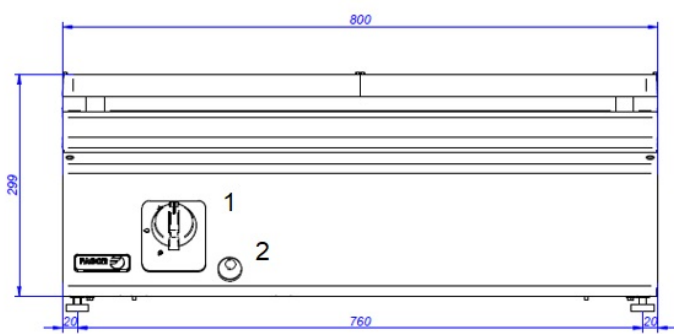
**Catalogue**  
FOOD SERVICE  
**Chapter**  
COOKING

**Specific model**  
C-G710 LPG

19070754

04/09/2023

## C-G710



G. Entrada de Gas  
1. Válvula de gas  
2. Pulsador tren de chispas

Gas Inlet  
Gas valve  
Piezoelectric ignitor